

MATERIAL AND FINISH:

Insulator: Polycarbonate, UL-94V-0 rated
 Contacts: Brass, Nickel plated

ELECTRICAL SPECIFICATIONS:

Current rating: 10 A
 Voltage rating: 250 VAC
 Current rating: 15 A
 Voltage rating: 250 VAC



Black color only



ORDERING CODE:

42R02-4
 1 2 3




1 = TERMINAL OPTIONS

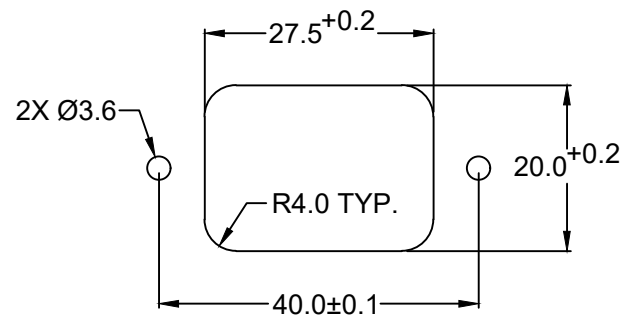
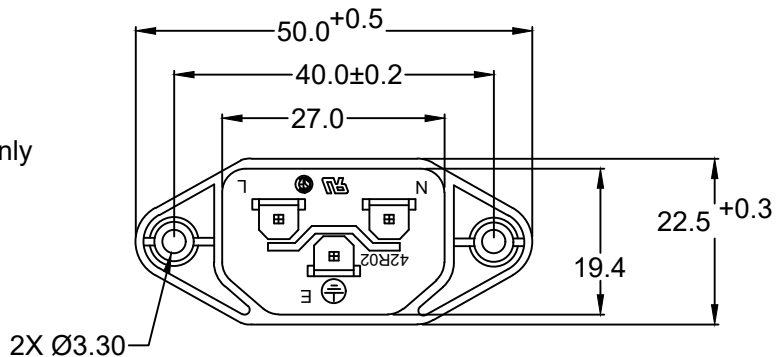
- 1 = .187(4.8)
- 2 = .250(6.3)

2 = COLOR

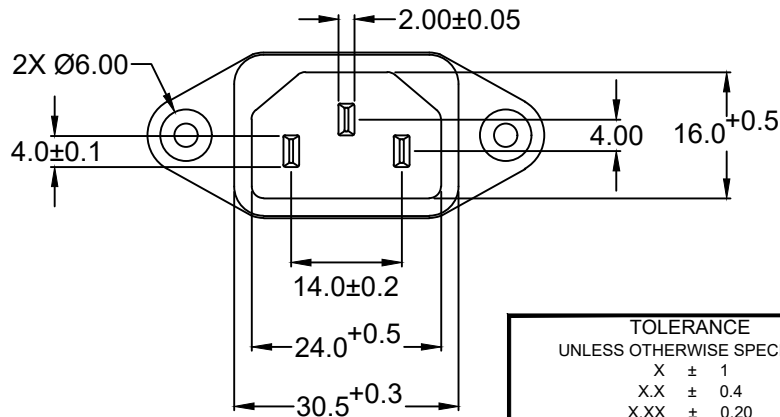
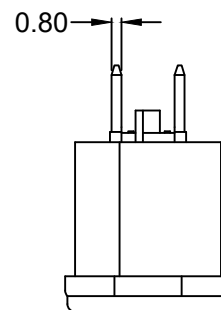
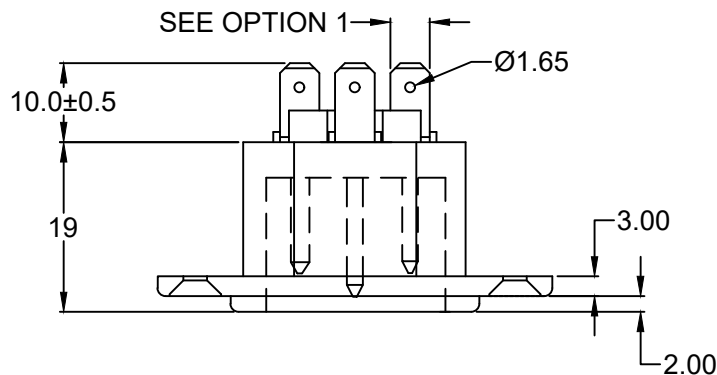
- 1 = BLACK
- 2 = GRAY

3 = ELECTRICAL CIRCUIT CONFIGURATION

- 1 = 15A 250V 120°C 2+GROUND 
- 2 = 15A 250V 70°C 2+GROUND 
- 4 = 15A 250V 70°C 2 POLE 



RECOMMENDED
 PANEL CUT-OUT



**RoHS
 COMPLIANT**

| REVISIONS | | CHANGE | CHNG | CHECK | APPR |
|-----------|----------|------------------------------|------|-------|------|
| REV | DATE | ADD | RoHS | PB | PB |
| A | 11/21/05 | ADD BLACK COLOR ONLY FOR VDE | | | |
| B | 10/5/23 | ADD BLACK COLOR ONLY FOR VDE | | | |

| TOLERANCE UNLESS OTHERWISE SPECIFIED | |
|---|--------|
| X | ± 1 |
| X.X | ± 0.4 |
| X.XX | ± 0.20 |

| | | | |
|----------|----|-------|---------|
| DRAWN BY | GQ | DATE: | 8/6/01 |
| CHECK BY | TD | DATE: | 8/13/01 |
| APPR BY | PB | DATE: | 8/13/01 |

| | |
|--|-------------------|
| Power Dynamics, Inc. | |
| Phone: 973 560-0019 Whippany, New Jersey Fax: 973 560-0076 | |
| PART: IEC 60320 APPLIANCE INLET; QUICK CONNECT TERMINALS; SIDE FLANGE, PANEL MOUNT | |
| PART #: | 42R02-4XXX |
| SIZE: | A |
| SCALE: | NTS |
| ALL DIMENSIONS FOR REFERENCE ONLY DIMENSIONS ARE IN MILLIMETERS | |
| SHEET | 1 of 1 |
| REV: | B |